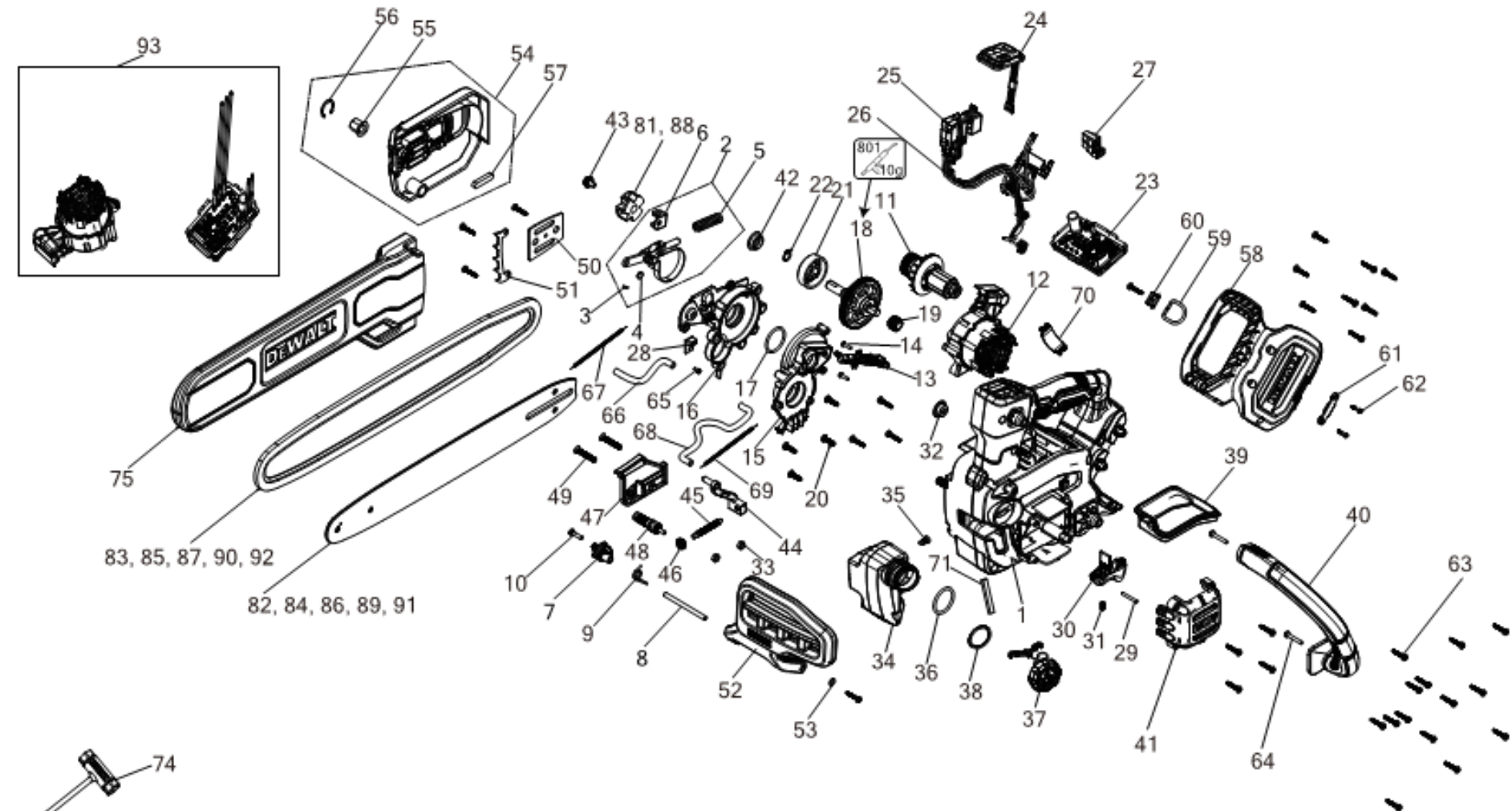
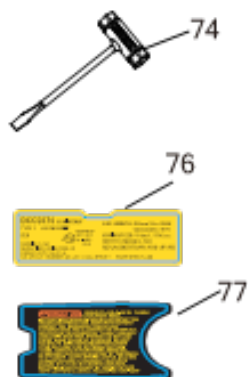


# DCMCST635X1 CHAINSAW 1



ITEM NUMBER	DESCRIPTION	NOTE
81	SPROCKET 3/8LP 7 TOOTH	NOTED ON UNIT
82	35CM 80BX05M BAR	NOTED ON UNIT
83	CHAIN 35CM 80BX55DL	NOTED ON UNIT
84	30CM 80BX05M BAR	
85	CHAIN 30CM 80BX51DL	BAR AND CHAIN HAVE TO BE REPLACED TOGETHER
86	40CM 80BX BAR	
87	CHAIN 40CM 80BX4DL	BAR AND CHAIN HAVE TO BE REPLACED TOGETHER
88	SPROCKET 3/8LP 6 TOOTH	NOT INCLUDED IN UNIT
89	30CM 80BX BAR 3/8 LP	1. BAR AND CHAIN HAVE TO BE REPLACED TOGETHER
90	CHAIN 30CM 80BX3/8 LP 45DL	2. HAVE TO FIT WITH SPROCKET 3/8LP 6 TOOTH
91	35CM 80BX BAR 3/8 LP	1. BAR AND CHAIN HAVE TO BE REPLACED TOGETHER
92	CHAIN 35CM 80BX5DL	2. HAVE TO FIT WITH SPROCKET 3/8LP 6 TOOTH



## Parts List DCMCST635X1 CHAINSAW 1

Item	Part Number	Qty	Part Description	General Description	Other Info	Repair Inst	Markets
1	NA354638	1	HOUSING SA			No	QW
2	NA597016	1	BRAKE SA			No	QW
3	90594864	1	PIN			No	QW
4	N572224	1	MAGNET			No	QW
5	NA047674	1	SPRING			No	QW
6	NA237802	1	BRAKE			No	QW
7	NA490214	1	CAM			No	QW
8	N837653	1	PIN	5MM		No	QW
9	NA292778	1	SPRING			No	QW
10	90500654	1	SCREW			No	QW
11	NA407548	1	ROTOR SA			No	QW
12	NA410483	1	BAFFLE SA			No	QW
13	NA018750	1	PUMP			No	QW
14	330019-28	2	SCREW			No	QW
15	NA049165	1	GEARCASE SA			No	QW
16	NA490205	1	GEARCASE COVER			No	QW
17	N439121	1	O RING			No	QW
18	NA410492	1	OUTPUT SHAFT SA			No	QW
19	N682600	1	GEAR			No	QW
20	330045-06	4	SCREW			No	QW
21	NA063524	1	DRUM			No	QW
22	624521-00	1	LOCKING RING			No	QW
23	NA411008	1	MODULE			No	QW
24	NA240739	1	MODULE			No	QW
25	NA257985	1	WIRE HARNESS			No	QW
26	NA257991	1	WIRE HARNESS			No	QW
27	650974-00	2	CONNECTOR			No	QW
28	N576084	1	SENSOR			No	QW
29	5119820-00	1	PIN			No	QW
30	NA354641	1	TRIGGER			No	QW
31	N433343	1	SPRING			No	QW
32	NA304771	1	SEAL			No	QW

## Parts List DCMCST635X1 CHAINSAW 1

Item	Part Number	Qty	Part Description	General Description	Other Info	Repair Inst	Markets
33	N506901	2	NUT			No	QW
34	NA088784	1	TANK			No	QW
35	90618295	1	VALVE			No	QW
36	N564358	1	GASKET			No	QW
37	N615366	1	CAP SA			No	QW
38	N654901	1	O RING			No	QW
39	NA205539	1	FINGER			No	QW
40	NA045756	1	HANDLE			No	QW
41	NA354640	1	CAP			No	QW
42	N859252	1	SEAL			No	QW
43	90639221	1	BOLT			No	QW
44	N855253	1	TENSION BLOCK			No	QW
45	N855275	1	SCREW			No	QW
46	NA231996	1	GEAR			No	QW
47	NA293416	1	COVER			No	QW
48	NA304068	1	GEAR SA			No	QW
49	N858609	2	SCREW			No	QW
50	NA085313	1	PLATE			No	QW
51	NA232411	1	PLATE			No	QW
52	NA073594	1	GUARD			No	QW
53	330016-01	1	WASHER			No	QW
54	NA411012	1	COVER SPOOL			No	QW
55	NA217422	1	NUT			No	QW
56	NA128407	1	RING			No	QW
57	90622086	1	SEAL			No	QW
58	NA366335	1	BATTERY CASE SA			No	QW
59	NA200828	1	RING			No	QW
60	NA278231	1	BRAKE			No	QW
61	N787996	1	INSERT			No	QW
62	N831593	2	SCREW			No	QW
63	330019-04	30	SCREW			No	QW
64	330019-05	2	SCREW			No	QW

## Parts List DCMCST635X1 CHAINSAW 1

Item	Part Number	Qty	Part Description	General Description	Other Info	Repair Inst	Markets
65	90566914	1	SCREW			No	QW
66	NA291826	1	TUBE			No	QW
67	NA291975	1	SPRING			No	QW
68	NA291827	1	TUBE			No	QW
69	NA291976	1	SPRING			No	QW
70	NA375014	1	COVER			No	QW
71	NA388447	1	FOAM			No	QW
74	NA209088	1	WRENCH			No	QW
75	NA318119	1	SHEATH			No	QW
76	NA352522	1	RATING LABEL			No	QW
77	NA352521	1	WARNING LABEL			No	QW
81	NA265339	1	SPROCKET			No	QW
82	NA373390	1	BAR		35CM 80BX	No	QW
83	NA291649	1	CHAIN		35CM 80BX	No	QW
84	NA373392	1	BAR		30CM 80BX	No	QW
85	NA291648	1	CHAIN		NOT 30CM 80BX	No	QW
86	NA373387	1	BAR		NOT 40CM 80BX	No	QW
87	NA291650	1	CHAIN		NOT 40CM 80BX	No	QW
88	90585879	1	SPROCKET		NOT NOT	No	QW
89	N594322	1	BAR		INCLUDED 30CM 80BX	No	QW
90	N580237	1	CHAIN		NOT 30CM 80BX	No	QW
91	N594320	1	BAR		NOT 40CM 80BX	No	QW
92	N594321	1	CHAIN	16 INCH	NOT 40CM 80BX	No	QW
93	NA427114	1	MOTOR SA		NOT	No	QW
801	583534-00	1	GREASE	50 GRAMS - NYE RHEOL	10g	No	QW